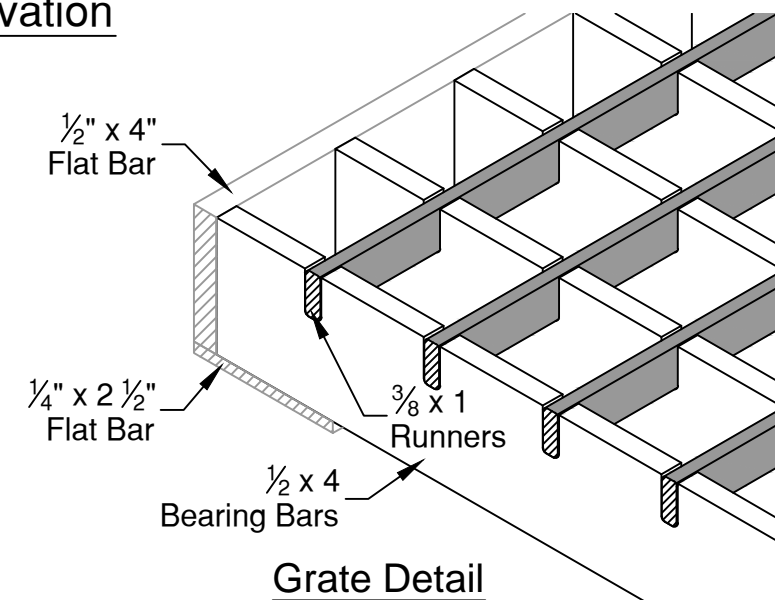
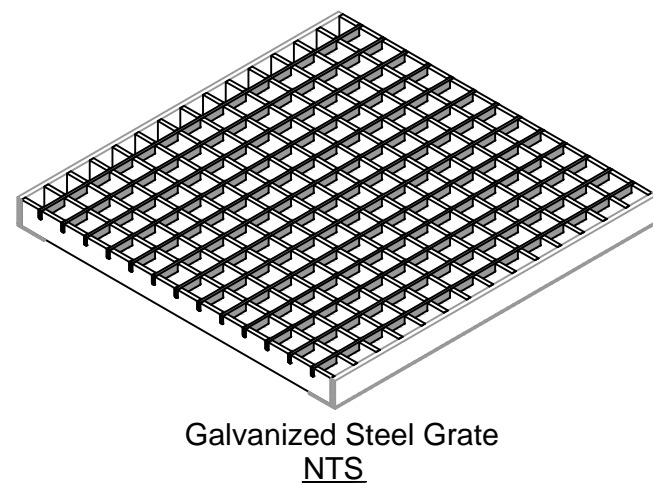
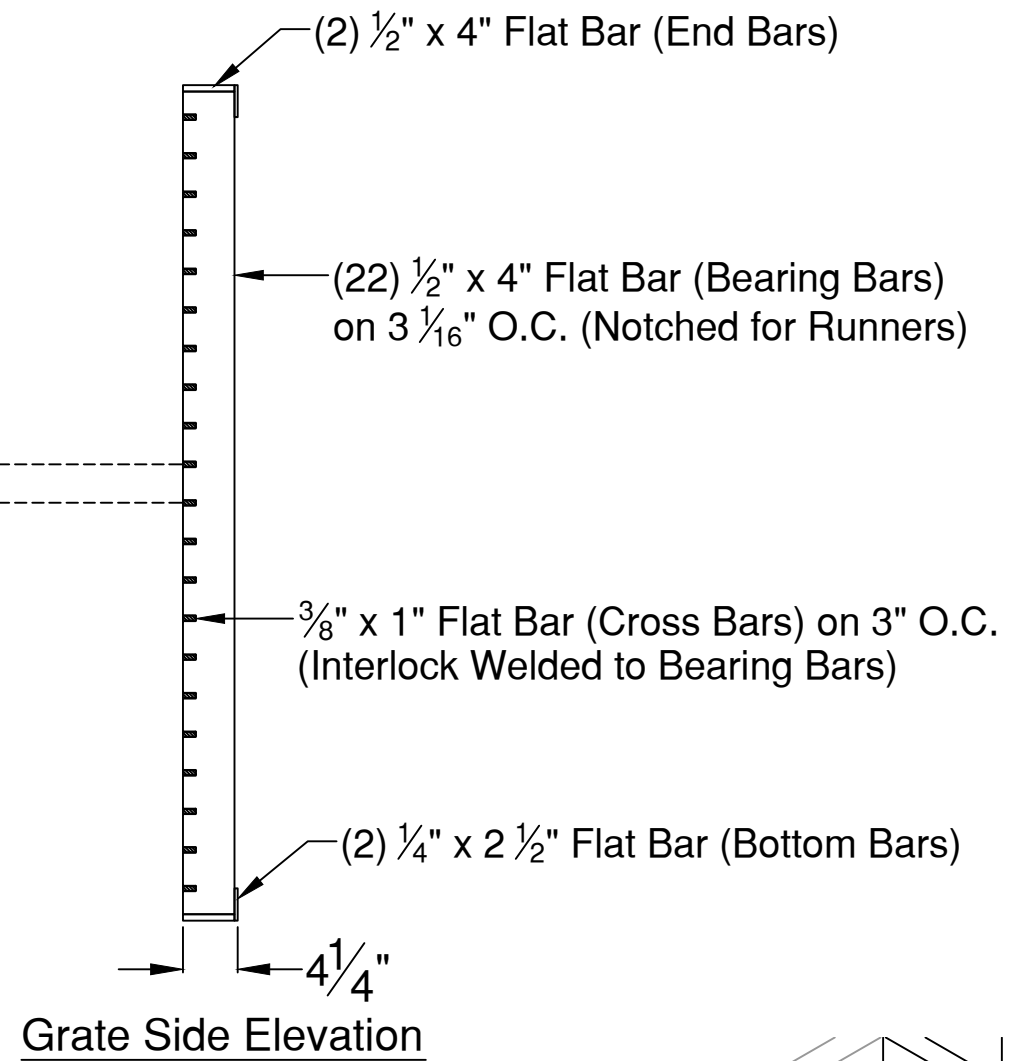
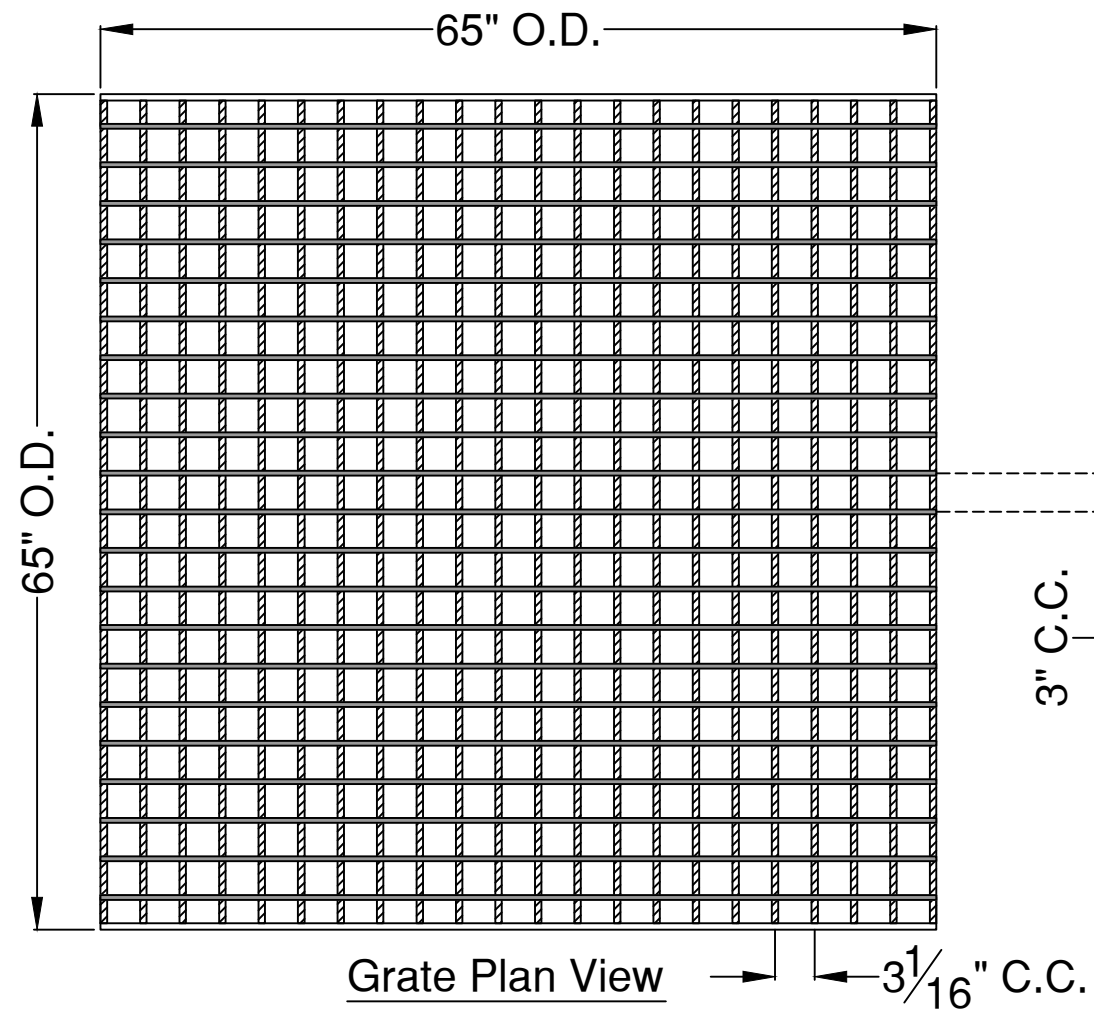


**5 x 5
GRATE Only
(71.73% OPEN AREA)**



Note:
1. ASTM A-36
Steel Construction
2. Hot Dip Galvanized
(ASTM A 123/A)
3. H-20 Load

Galvanized Steel Grate
(65" x 65" O.D. Grate)

K&B Steel
E-Mail: kbsteel@valornet.com
525 Industrial Blvd. Clarksville, Texas 75426
Phone: (903) 427-3980 FAX: (903) 427-5817

